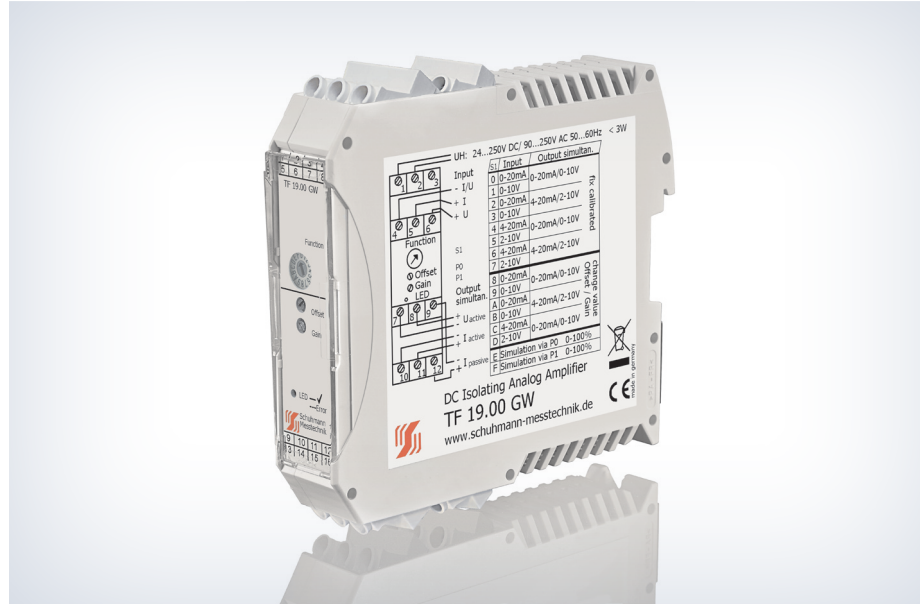


FEATURES

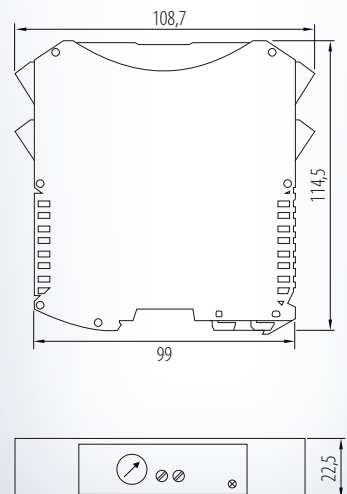
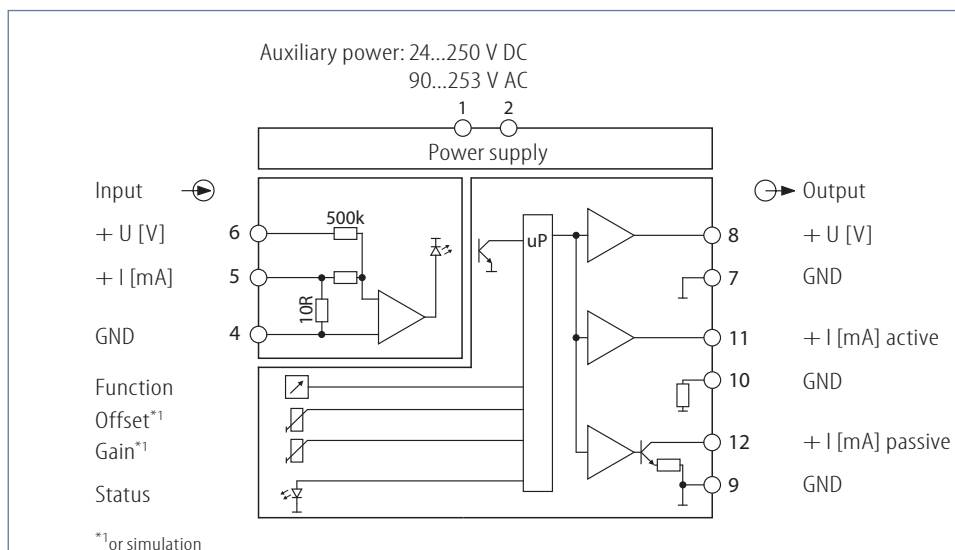
- **Switchable inputs:**
Current 0(4)...20 mA or
Voltage 0(2)...10 V
- **Outputs simultaneous:**
Voltage 0(2)...10 V and
Current 0(4)...20 mA active or
loop-powered
- **Function, switchable:**
- fixed calibration or
- adjustable by trimmer or
- simulation mode for outputs
- **Galvanic 3-way isolation**
of 2,5 kV
- **Low internal consumption**



FUNCTION

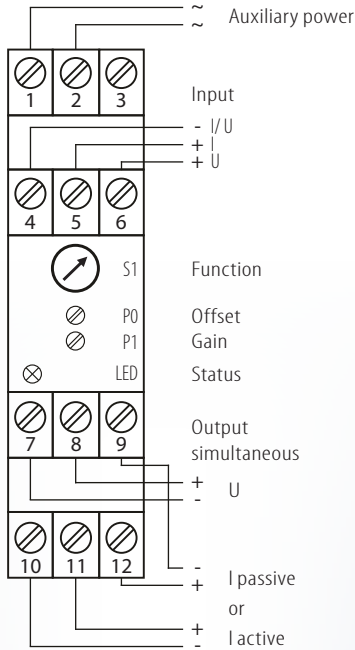
Amplifiers are used for the galvanic isolation or conversion of analog signals. This guarantees a safe decoupling between sensor and evaluation circuit and any influence of other sensor circuit among each other is absolutely impossible. This Amplifier is equipped with standard current and voltage inputs as well as current and voltage outputs.

The TF 19.00 GW can be switched to different characteristics of transmission by front side turn-switch. Fixed calibrated measuring ranges for input and output are stored in switch setting 0...7. In position 8...D the transmission ranges can be adjusted by zero point and range trimmer. Position E and F are used for simulation during initial operation, here a fixed output value can be generated by zero point and range trimmer, without input signal.



TF 19.00 GW

Connection diagram:



Input:

| | | |
|----------------|-------------------|---------------------------------|
| I: DC current: | 0(4)...20 mA | input resistance approx. 10 Ω |
| connection: | terminal 4 -, 5 + | |
| U: DC voltage: | 0(2)...10 V | input resistance approx. 500 kΩ |
| connection: | terminal 4 -, 6 + | |

Output:

| | | |
|---------------------------------|---------------------|-------------------------------|
| I: load-independent DC current: | 0(4)...20 mA | permissible load max. 500 Ω |
| connection: | terminal 10 -, 11 + | |
| or: | | |
| loop-powered DC current: | 0(4)...20 mA | max. permissible voltage 30 V |
| connection: | terminal 9 -, 12 + | |
| U: load-independent DC voltage: | 0(2)...10 V | permissible load ≥ 2 kΩ |
| connection: | terminal 7 -, 8 + | |

The maximum limits for current- and voltage output are fixed at 22 mA respectively 11 V.

Adjustment:

The characteristics of transmission are adjustable by front side turn-switch.

| S1 | Input | Output simultan. | Position turn-switch S1 |
|----|--------------------------|--|--|
| 0 | 0-20 mA | 0-20 mA / 0-10 V | 0...7 Inputs and outputs are fixed calibrated, the trimmer for zero point and range are here without function. |
| 1 | 0-10 V | 4-20 mA / 2-10 V | |
| 2 | 0-20 mA | | |
| 3 | 0-10 V | 0-20 mA / 0-10 V | |
| 4 | 4-20 mA | | |
| 5 | 2-10 V | 4-20 mA / 2-10 V | |
| 6 | 4-20 mA | | |
| 7 | 2-10 V | 8...D Inputs and outputs are not exactly calibrated. Adjustment: zero point trimmer P0 (> ± 15%) gain trimmer P1 (> ± 15%) | |
| 8 | 0-20 mA | | 0-20 mA / 0-10 V |
| 9 | 0-10 V | | |
| A | 0-20 mA | | 4-20 mA / 2-10 V |
| B | 0-10 V | | |
| C | 4-20 mA | 0-20 mA / 0-10 V | |
| D | 2-10 V | | |
| E | Simulation via P0 0-100% | | E Simulation with trimmer P0: 0...100% output |
| F | Simulation via P1 0-100% | | F Simulation with trimmer P1: 0...100% output |

Display:

| | | |
|-------------|-----------------|---|
| LED status: | green, active | input signals are in standard range, device ready for use |
| | green, flashing | input signal out of the acceptable range or exceeding of measuring range or simulation mode |

Environmental conditions:

| | |
|------------------------|---|
| Storage temperature: | -40...+70 °C |
| Operating temperature: | 0...55 °C |
| Isolation voltage: | 2,5 kV eff. 1 sec. input-output 2,5 kV eff. 1 sec. auxiliary voltage |

Auxiliary power:

| | |
|-------------------------------|---|
| Wide range: | 24...250 V DC 90...253 V AC < 3 W |
| Influence of auxiliary power: | < 0,1 % |

Characteristics of transmission:

| | |
|---------------------|----------------------------|
| Transmission error: | < 0,12 % |
| Resolution: | 15 bit |
| Linearity error: | < 0,1 % |
| Temperature error: | < 100 ppm/ K |
| Load influence I: | < 50 ppm of final value |
| Load influence U: | < 0,2 % at 2 kΩ load |
| Setting time: | < 100 msec. |

Directive:

| | |
|--|-------------|
| EMC Directive: | 2014/30/EU* |
| Low Voltage Directive: | 2014/35/EU |
| *minimum deviations possible during HF-radiation influence | |

Mounting details:

| | |
|----------------------------------|--|
| Housing for top hat rail | |
| Type of protection: | IP 20 housing IP 20 clamps |
| Rail-mounting fixed according to | EN 50022-35 x 7,5 mm |
| Width: | 22,5 mm |
| Weight: | 140 g |
| Material: | Polyamide PA |
| Flammability class: | V0 (UL94) |
| Approval: | CE |
| Connection: | screw clamps $\leq 2,5$ mm ² |

Please check switch position before initial operation!

Ordering information:

Type: TF 19.00 GW wide range

Schuhmann GmbH & Co. KG
Römerstraße 2
D-74363 Güglingen
Tel. + 49 71 35 50 56
E-mail: info@schuhmann-messtechnik.de
www.schuhmann-messtechnik.de