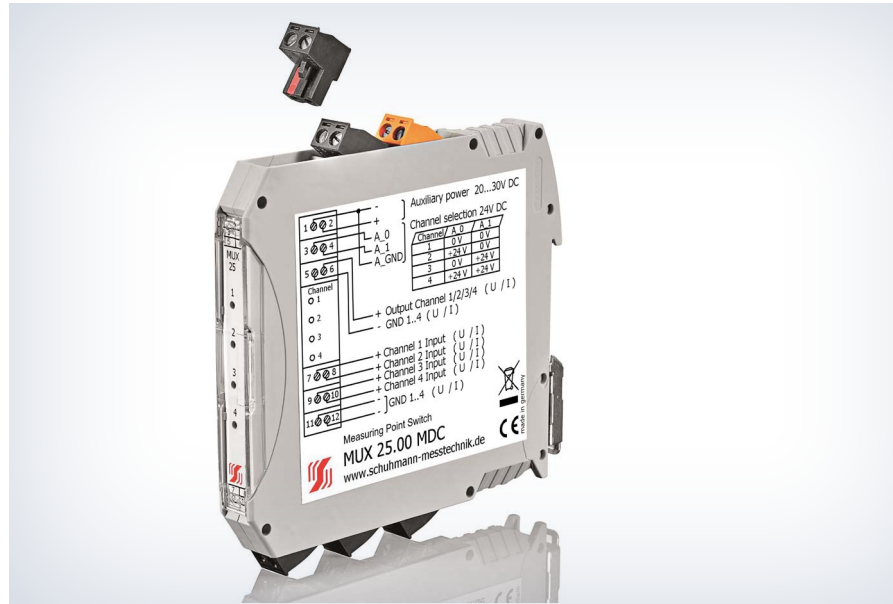




## FEATURES

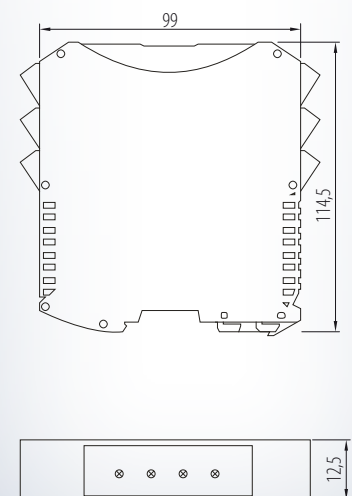
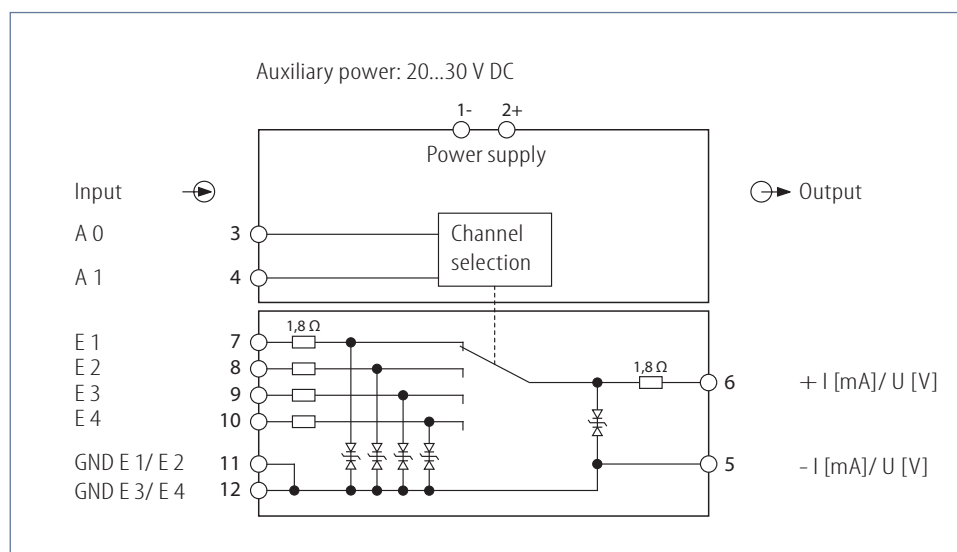
- 4 inputs:  
current  $\pm 70$  mA or  
voltage  $\pm 12$  V
- 1 output
- Switch by 2 control signals
- Galvanic 2-way isolation  
of 2,5 kV



## FUNCTION

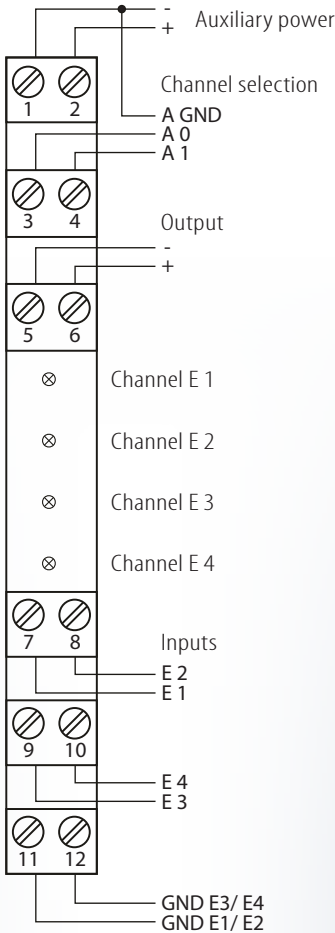
The multiplexer MUX 25.00 MDC provides the expandability of the analog inputs at a PLC. It has 4 inputs which can process analog signals like currents and voltages. Because of the channel selection by two address lines (e.g. 2 digital PLC outputs) is one of the 4 inputs connected through to the output.

The output is galvanically connected with the input. Auxiliary power/ channel selection are galvanically isolated across from the input/ output.



# MUX 25.00 MDC

Connection diagram:



## Input:

4 inputs E1-E4 usable as current or voltage input:

I: current:	± 70 mA
U: direct voltage:	± 12 V
signal limitation:	± 12 V
connection E1:	terminal 11 -, 7 +
connection E2:	terminal 11 -, 8 +
connection E3:	terminal 12 -, 9 +
connection E4:	terminal 12 -, 10 +

## Adjustment:

The channel selection is made by the input A0 and A1:

demand signal:	24 V DC
switching time:	approx. 2 msec.
connection A 0:	terminal 1 -, 3 +
connection A 1:	terminal 1 -, 4 +

In case of working resistance the control response time has to be considered.

Selected input	Control input A1	Control input A0
E 1	0 V	0 V
E 2	0 V	24 V
E 3	24 V	0 V
E 4	24 V	24 V

## Output:

Selected input is being put trough to the output directly.

connection: terminal 5 -, 6 +

## Environmental conditions:

Storage temperature: -40...+70 °C  
 Operating temperature: 10...55 °C  
 Isolation voltage:  
 2,5 kV eff. 1 sec.  
 input/ output  
 to auxiliary power/ channel selection

## Auxiliary power:

24 V DC: 20...30 V DC  
 < 3 W

## Characteristics of transmission:

Setting time: < 2 msec.  
 Internal resistance: approx. 30 Ohm

## Directive:

EMC Directive: 2014/30/EU\*  
 Low Voltage Directive: 2014/35/EU

\*minimum deviations possible during  
 HF-radiation influence

## Mounting details:

Housing for top hat rail  
 Type of protection: IP 30 housing  
 IP 20 clamps  
 Mounting rail fixed according to  
 EN 50022-35 x 7,5 mm  
 Width: 12,5 mm  
 Weight: 90 g  
 Material: Polyamide (PA)  
 Flammability class: V0 (UL94)  
 Approval: CE  
 Connection: pluggable  
 screw clamps  
 0,2...2,5 mm<sup>2</sup>

**For safety reasons we recommend to mount the housing for top hat rail with a distance of approx. 5 mm to each other.**

## Ordering information:

Type: MUX 25.00 MDC 24VDC

Schuhmann GmbH & Co. KG  
 Römerstraße 2  
 D-74363 Güglingen  
 Tel. + 49 71 35 50 56  
 E-mail: info@schuhmann-messtechnik.de  
 www.schuhmann-messtechnik.de