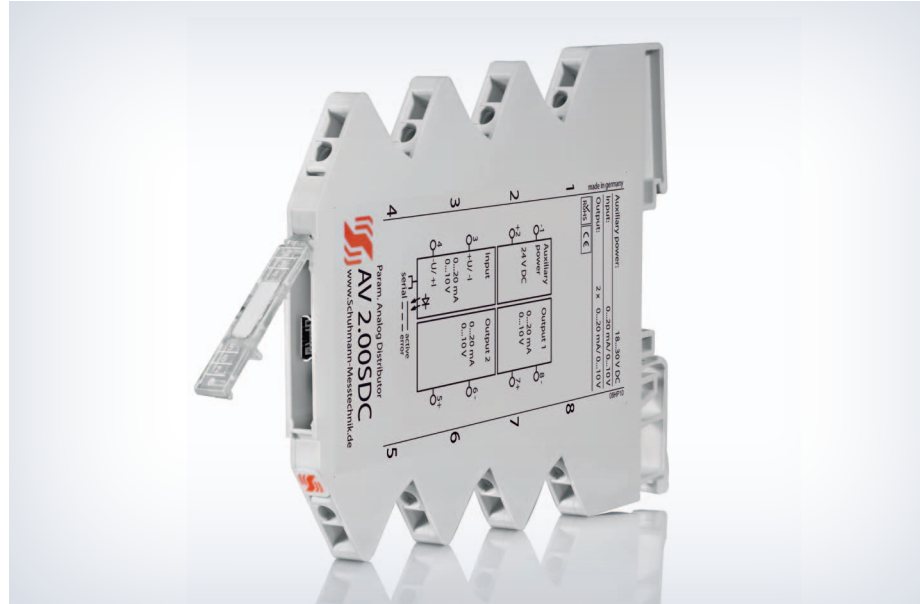


FEATURES

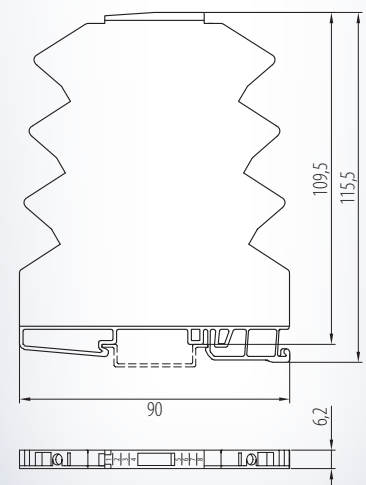
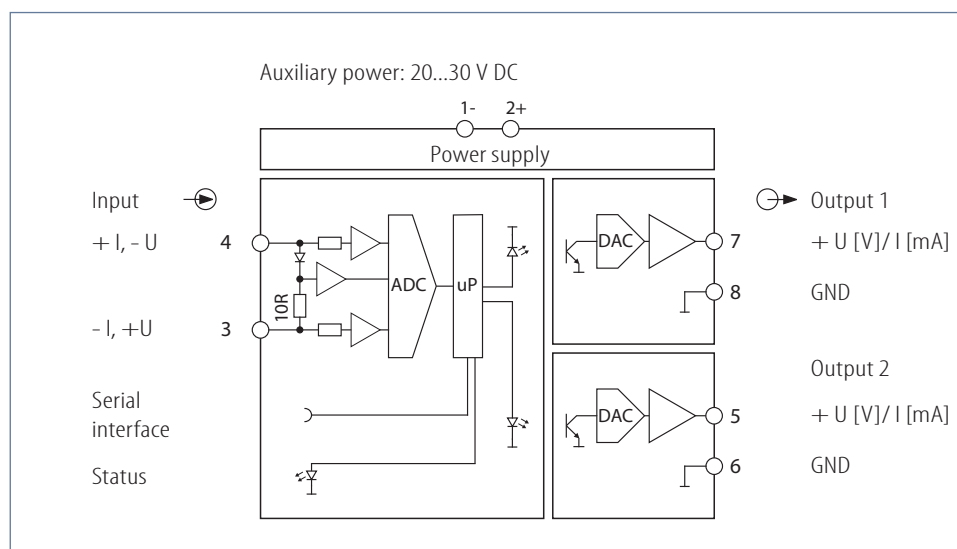
- **1 input:**
Current 0(4)...20 mA or
Voltage 0(2)...10 V
- **2 outputs:**
Current 0(4)...20 mA/
Voltage 0(2)...10 V
- **Parameterization without
auxiliary power via PC-interface**
- **Galvanic 4-way isolation
of 1 kV**
- **Low internal consumption**



FUNCTION

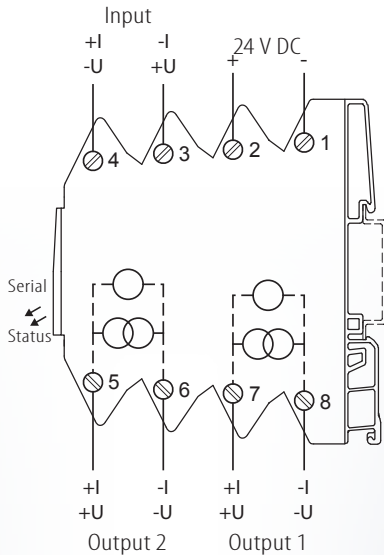
The AV 2.00 SDC is used for duplicating an input signal to 2 galvanically isolated individual output signals. This guarantees a safe decoupling between sensor and evaluation circuit and any influence of other sensor circuits among each other is absolutely impossible.

He is able to process currents respectively voltages within a range of 0...20 mA or 0...10 V. The input is being defined by range start and range end, signal damping as well as fixed limits of error detection can be freely selected. The 2 outputs are separately and individually adjustable for current or voltage output. For each output the range start and range end, minimum/ maximum limits and a fixed value in case of error detection can be adjusted in clear text.



AV 2.00 SDC

Connection diagram:



Input:

I: DC current: 0(4)...20 mA input resistance approx. 10 Ω
 connection: terminal 3 -, 4 +

U: DC voltage: 0(2)...10 V input resistance approx. 50 kΩ
 connection: terminal 4 -, 3 +

Within the described measuring ranges the range start, range end, signal damping as well as the limits for a detection of error can be freely selected.

Output:

I: load-independent DC current: 0(4)...20 mA permissible load max. 400 Ω
 connection output 1: terminal 8 -, 7 +
 connection output 2: terminal 6 -, 5 +

U: load-independent DC voltage: 0(2)...10 V permissible load ≥ 2 kΩ
 connection output 1: terminal 8 -, 7 +
 connection output 2: terminal 6 -, 5 +

The 2 outputs are adjustable independently of each other for current or voltage source. For each output channel the output range start and output range end, the minimum/ maximum limits for current and voltage output as well as a fixed predetermined value in case of error detection can be adjusted in clear text.

Adjustment:

Measuring ranges and parameterization are adjustable in parameter data by KALIB-Software. You need a PC and the interface adapter USB2 with KALIB-Software.

Preset parameterization (change possible):

Input: 0...20 mA
 Output 1/ 2: 0...20 mA

Display:

LED status: green, active input signals are in standard range, device ready for use
 green, flashing input out of predetermined limits or exceeding of measuring range

Environmental conditions:

Storage temperature: -40...+70 °C
 Operating temperature: 0...55 °C
 Isolation voltage:
 2,5 kV eff. 1 sec. input/ output
 2,5 kV eff. 1 sec. auxiliary power
 1,0 kV eff. 1 sec. output 1/ output 2

Auxiliary power:

24 V DC: 20...30 V DC
 < 2 W

Influence of auxiliary power: < 0,1 %

Characteristics of transmission:

Transmission error: < 0,12 %
 Resolution: 15 bit
 Linearity error: < 0,1 %
 Temperature error: < 100 ppm/ K
 Load influence I: < 50 ppm
 of final value
 Load influence U: < 0,2 % at 2 kΩ load
 Setting time: < 50 msec.

Directive:

EMC Directive: 2014/30/EU*
 Low Voltage Directive: 2014/35/EU

*minimum deviations possible during HF-radiation influence

Mounting details:

Housing for top hat rail
 Type of protection: IP 20
 Mounting rail fixed according to EN 50022-35 x 6,2 mm
 Width: 6,2 mm
 Weight: 52 g
 Material: Polyamide PA
 Flammability class: V0 (UL 94)
 Approval: CE
 Connection: screw clamps
 0,14...2,5 mm²

For safety reasons we recommend to mount the housing for top hat rail with a distance > 1 mm to each other. Please check parameterization before initial operation!

Ordering information:

Type: AV 2.00 SDC 24 V DC
 Accessories: USB2/ USB-Simulator with KALIB-Software

Schuhmann GmbH & Co. KG
 Römerstraße 2
 D-74363 Güglingen
 Tel. + 49 71 35 50 56
 E-mail: info@schuhmann-messtechnik.de
 www.schuhmann-messtechnik.de