

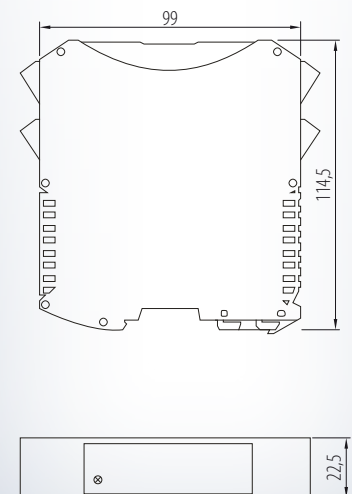
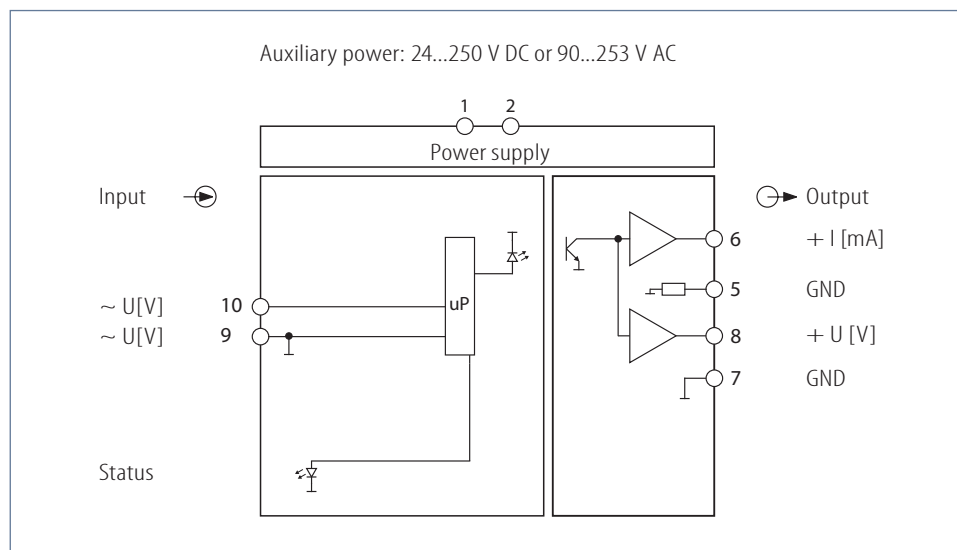
FEATURES

- **Input:**
AC voltage up to 500 V AC,
True RMS value recording
- **Output, simultaneous:**
Current 0(4)...20 mA and
Voltage 0(2)...10 V
- **Galvanic 3-way isolation**
of 4 kV



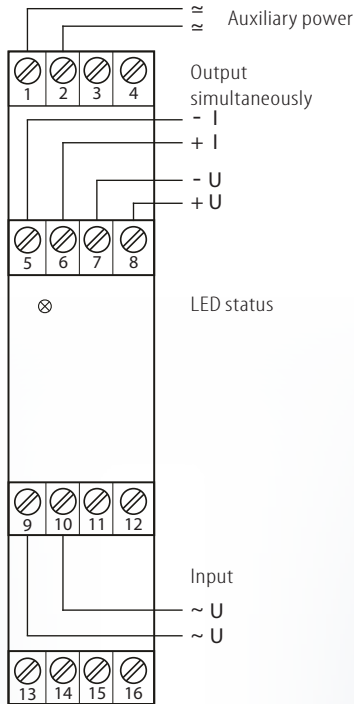
FUNCTION

The UW 13.01 GW is being used to convert a AC voltage signal into a standard signal. It has an AC voltage input and an output for current and voltage simultaneous. Indication of operating state is displayed by LED on front side.



UW 13.01 GW

Connection diagram:



Input:

U: AC voltage: max. 500 V AC, 50 Hz
True RMS value recording

Customer specification of and input setting, e.g.

input: 0...20 V AC
or input: 0...100 V AC
or input: 0...400 V AC

connection: terminal 9, 10

Output:

Customer specification, factory setting: 4...20 mA

I: load-independent AC current: 0(4)...20 mA permissible load max. 500 Ω
U: load-independent AC voltage: 0(2)...10 V permissible load $\geq 5 \text{ k}\Omega$

Display:

LED status: green, active input signal within range, ready for operation

Environmental conditions:

Storage temperature: -20...+70 °C
Operating temperature: 0...55 °C
Isolation voltage: 4 kV eff. 1 sec.
input/ output/ auxiliary voltage

Auxiliary power:

Wide range: 24...250 V DC
90...253 V AC
< 3 W
Infl. of auxiliary power: < 0,1 %

Characteristics of transmission:

Transmission error: < 1 % of final value
Linearity error: $\pm 0,1 \%$
Resolution: 10 bit
Temperature error: < 100 ppm/ K
Load influence I: < 50 ppm
of final value
Load influence U: < 0,2% at 1 kΩ load
Set time: 4 sec. factory set
(0,5...64 sec. possible)

Directive:

EMC Directive: 2014/30/EU*
Low Voltage Directive: 2014/35/EU
*minimum deviations possible during
HF-radiation influence

Mounting details:

Housing for top hat rail
Type of protection: IP 40 housing
IP 20 clamps
Mounting rail fixed according to
EN 50022-35 x 6,2 mm
Width: 22,5 mm
Weight: 170 g
Material: Polyamide PA
Flammability class: V0 (UL94)
Approval: CE
Connection: pluggable
screw clamps
0,2...2,5 mm²

For safety reasons we recommend to mount the housing for top hat rail with a distance of approx. 5 mm to each other. Please check switch position before initial operation!

Ordering information:

Type: UW 13.01 GW wide range

Please specify input- and output signal in clear text, e.g.:
Input: 0...10 V AC, output: 4...20 mA

Schuhmann GmbH & Co. KG
Römerstraße 2
D-74363 Güglingen
Tel. + 49 71 35 50 56
Fax + 49 71 35 53 55
www.schuhmann-messtechnik.de