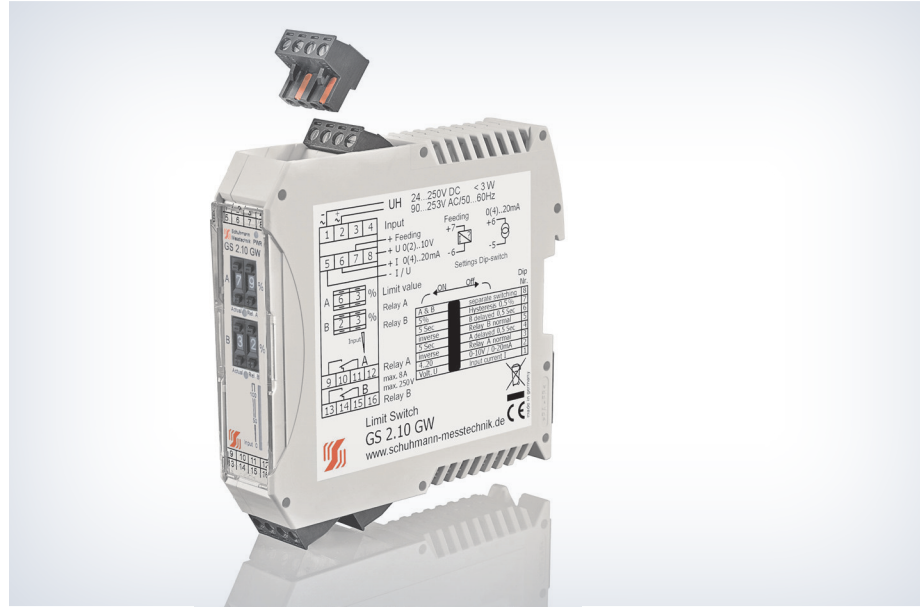


FEATURES

- **Input:**
Current 0(4)...20 mA or
Voltage 0(2)...10 V
- **Output:**
2 relays (changer)
- **Integrated transmitter feeding**
- **Adjustment of limit value by front side push-button**
- **Indication of**
- contact state by LED
- actual value by bargraph
- **Additional functions:**
hysteresis, window, ON/ OFF-delay,
inverse function
- **Galvanic 3-way isolation of 4 kV**



FUNCTION

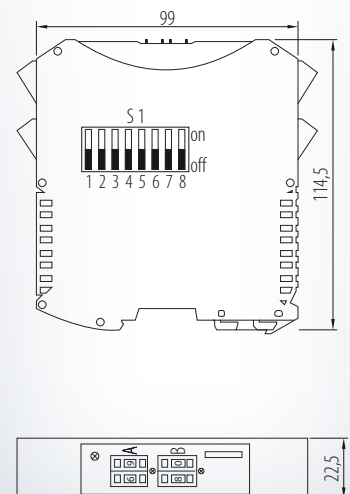
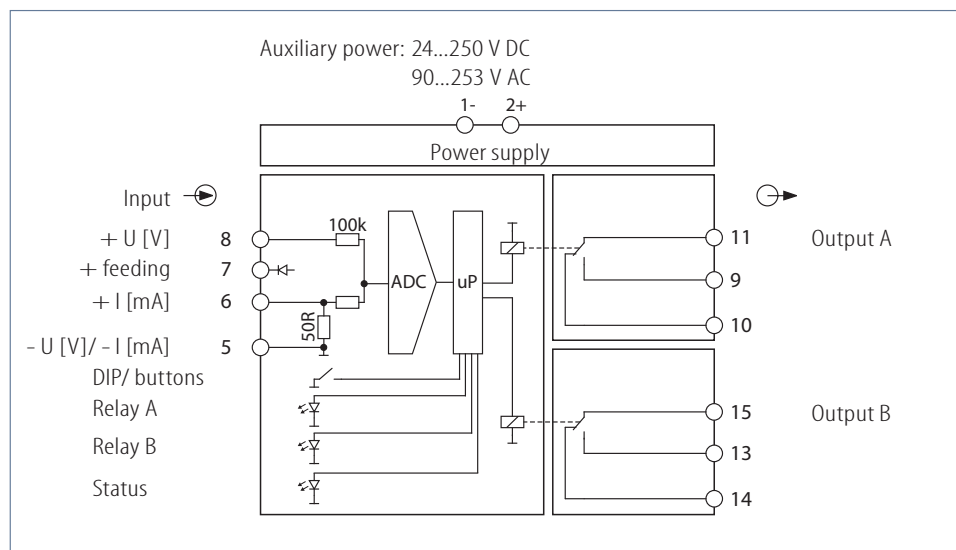
The Limit Switch GS 2.10 GW is used for the control of limit values of standardized current or voltage signals.

Due to the 2 relays at the output with one potential free change-over contact each two switching functions can be realized. The switching status of the erected relay will be indicated by LED display.

The switching point can be adjusted by the front side push-button the effective direction of the relay by the slide switch on the side.

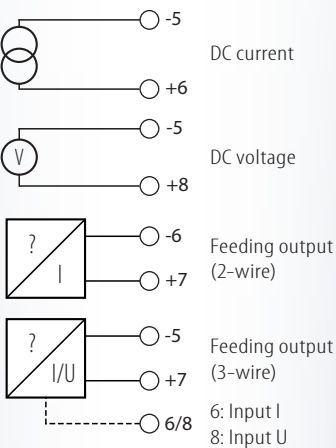
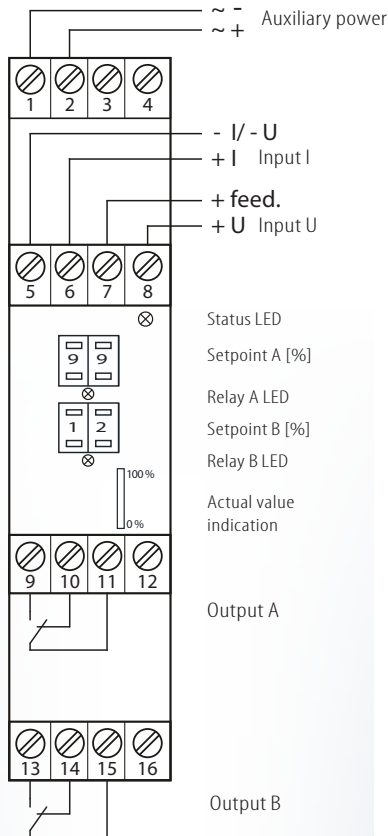
Because of the integrated transmitter feeding, 2- or 3-wire transmitters will be fed.

The application range is e.g. threshold switch, supervisory relay, pump control of containers, control of final signals of positioning elements etc.



GS 2.10 GW

Connection diagram:



Input:

I: load-independent DC current connection:	0(4)...20 mA terminal 5 -, 6 +	input resistance approx. 100 Ω
U: load-independent DC voltage connection:	0(2)...10 V terminal 7 -, 8 +	input resistance approx. 100 kΩ
transmitter feeding: connection:	approx. 20...24 V, max. 20 mA/ 22 V see connection diagram	

Output:

2 relay outputs: max. switching current/ voltage: mech./ contact life cycle: connection:	changer 8 A/ 250 V AC 30 x 10 ⁶ cycles/ 10 ⁵ cycles see connection diagram
---	---

Adjustment:

Select function with DIP switch on the side (S1-1 to S1-8):

Setpoint	Switch	Adjustment	Function
front side A	front side A	0...99 %	Limit value adjustment A
	front side B	0...99 %	Limit value adjustment B
Input	S1 - 1	OFF	Input current
	S1 - 1	ON	Input voltage
	S1 - 2	OFF	Input 0...20 mA/ 0...10 V
	S1 - 2	ON	Input 4...20 mA/ 2...10 V
Relay A	S1 - 3	OFF	Relay A is not inverted
	S1 - 3	ON	Relay A is inverted
	S1 - 4	OFF	Delay relay A ON/ OFF, 0,5 sec.
	S1 - 4	ON	Delay relay A ON/ OFF, 5 sec.
Relay B	S1 - 5	OFF	Relay B is not inverted
	S1 - 5	ON	Relay B is inverted
	S1 - 6	OFF	Delay relay B ON/ OFF, 0,5 sec.
	S1 - 6	ON	Delay relay B ON/ OFF, 5 sec.
General	S1 - 7	OFF	Switching hysteresis 0,5 %
	S1 - 7	ON	Switching hysteresis 5 %
	S1 - 8	OFF	Separate switching function for limit value
	S1 - 8	ON	Common switching function A, B, switching between A [%] and B [%] (hysteresis)

Display:

LED Status	green, active green, flashing	input signal within range, ready for use limit exceeded
LED Relay A	red, active	relay A tightened
LED Relay B	red, active	relay B tightened
Act. val. indic.	front side bargraph up to 100 % green, from 100 % red	

Environmental conditions:

Storage temperature:	-40...+70 °C
Operating temperature:	0...55 °C
Isolation voltage:	4 kV eff. 1 sec. input-output 4 kV eff. 1 sec. auxiliary voltage

Directive:

EMC Directive:	2014/30/EU*
Low Voltage Directive:	2014/35/EU
*minimum deviations possible during HF-radiation influence	

Auxiliary power:

Wide range:	24...250 V DC 90...253 V AC < 3 W
Influence of auxiliary power:	< 0,1 %

Mounting details:

Housing for top hat rail	
Type of protection:	IP 20 housing IP 10 screw clamps
Mounting rail fixed according to	EN 50022-35 x 6,2 mm
Width:	22,5 mm
Weight:	160 g
Material:	Polyamide PA
Flammability class:	V0 (UL 94)
Approval:	CE
Connection:	screw clamps 0,2...2,5 mm ²

Characteristics of transmission:

Resolution:	10 bit
Linearity error:	< 0,1 % of final value
Temperature error:	< 30 ppm/K

For safety reasons we recommend to mount the housing for top hat rail with a distance of approx. 5 mm to each other.

Schuhmann GmbH & Co. KG
Römerstraße 2
D-74363 Güglingen
Tel. + 49 71 35 50 56
Fax + 49 71 35 53 55
www.schuhmann-messtechnik.de

Ordering information:

Type: **GS 2.10 GW** wide range

01.07.2019