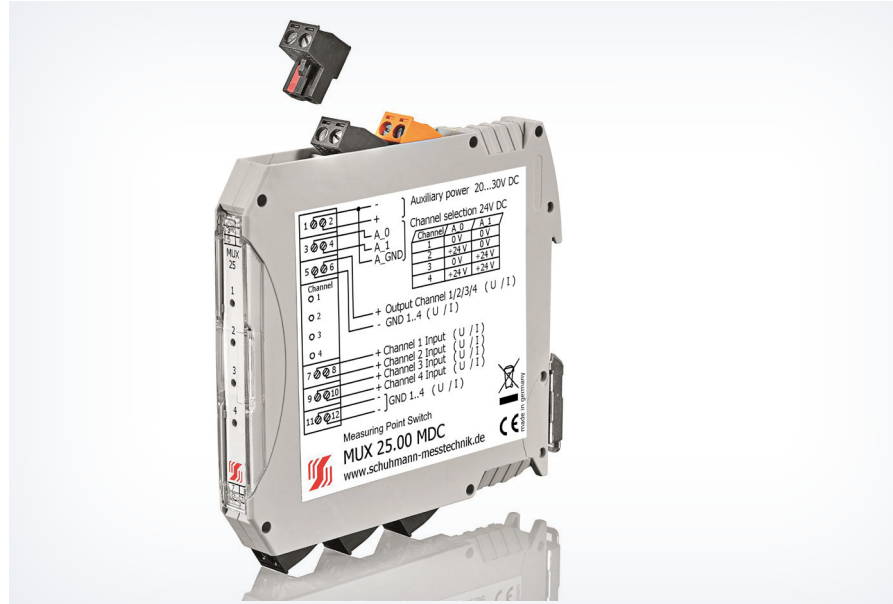




FEATURES

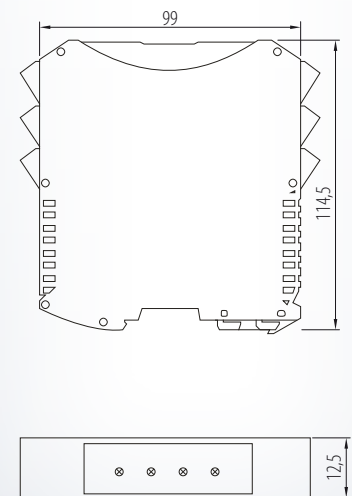
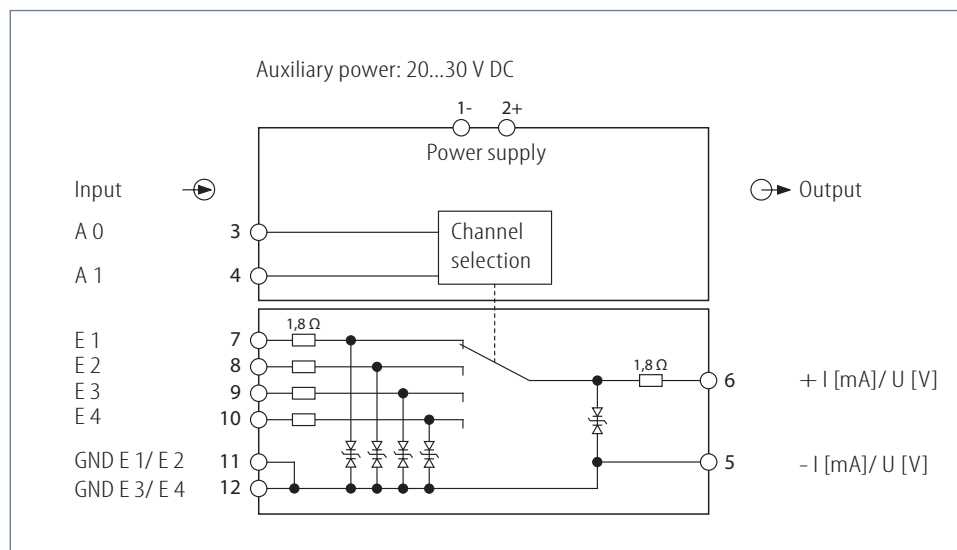
- 4 inputs:
current ± 70 mA or
voltage ± 12 V
- 1 output
- Switch by 2 control signals
- Galvanic 2-way isolation
of 2,5 kV



FUNCTION

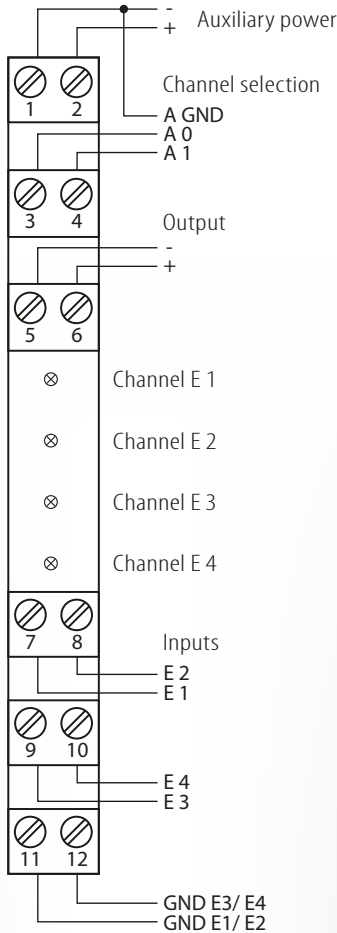
The multiplexer MUX 25.00 MDC provides the expandability of the analog inputs at a PLC. It has 4 inputs which can process analog signals like currents and voltages. Because of the channel selection by two address lines (e.g. 2 digital PLC outputs) is one of the 4 inputs connected through to the output.

The output is galvanically connected with the input. Auxiliary power/ channel selection are galvanically isolated across from the input/ output.



MUX 25.00 MDC

Connection diagram:



Input:

4 inputs E1-E4 usable as current or voltage input:

I: current:	± 70 mA
U: direct voltage:	± 12 V
signal limitation:	± 12 V
connection E1:	terminal 11 -, 7 +
connection E2:	terminal 11 -, 8 +
connection E3:	terminal 12 -, 9 +
connection E4:	terminal 12 -, 10 +

Adjustment:

The channel selection is made by the input A0 and A1:

demand signal:	24 V DC
switching time:	approx. 2 msec.
connection A 0:	terminal 1 -, 3 +
connection A 1:	terminal 1 -, 4 +

In case of working resistance the control response time has to be considered.

Selected input	Control input A1	Control input A0
E 1	0 V	0 V
E 2	0 V	24 V
E 3	24 V	0 V
E 4	24 V	24 V

Output:

Selected input is being put trough to the output directly.

connection: terminal 5 -, 6 +

Environmental conditions:

Storage temperature: -40...+70 °C
 Operating temperature: 10...55 °C
 Isolation voltage:
 2,5 kV eff. 1 sec.
 input/ output
 to auxiliary power/ channel selection

Auxiliary power:

24 V DC: 20...30 V DC
 < 3 W

Characteristics of transmission:

Setting time: < 2 msec.
 Internal resistance: approx. 30 Ohm

Directive:

EMC Directive: 2014/30/EU*
 Low Voltage Directive: 2014/35/EU

*minimum deviations possible during
 HF-radiation influence

Mounting details:

Housing for top hat rail
 Type of protection: IP 30 housing
 IP 20 clamps
 Mounting rail fixed according to
 EN 50022-35 x 7,5 mm
 Width: 12,5 mm
 Weight: 90 g
 Material: Polyamide (PA)
 Flammability class: V0 (UL94)
 Approval: CE
 Connection: pluggable
 screw clamps
 0,2...2,5 mm²

For safety reasons we recommend to mount the housing for top hat rail with a distance of approx. 5 mm to each other.

Ordering information:

Type: MUX 25.00 MDC 24VDC

Schuhmann GmbH & Co. KG
 Römerstraße 2
 D-74363 Güglingen
 Tel. +49 71 35 50 56
 Fax +49 71 35 53 55
 www.schuhmann-messtechnik.de