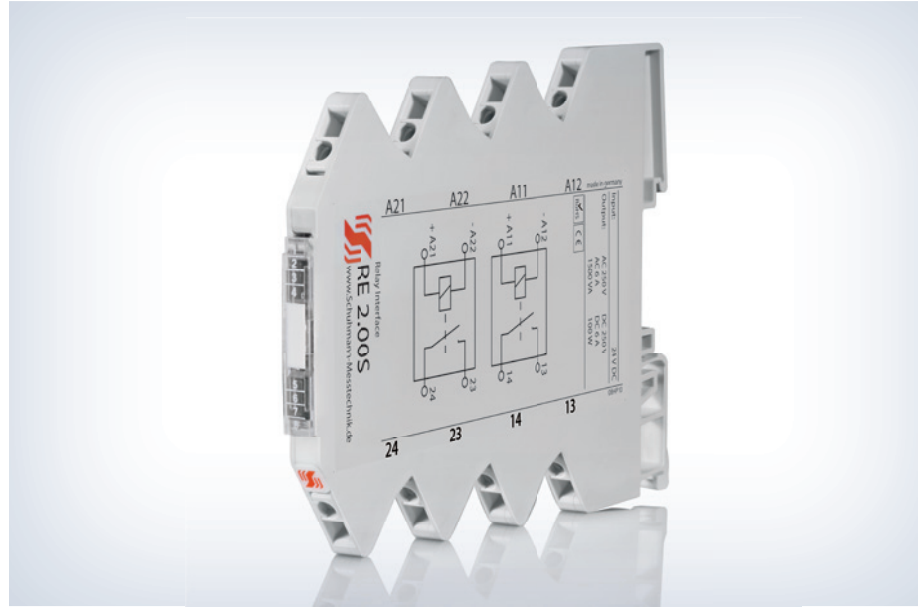




FEATURES

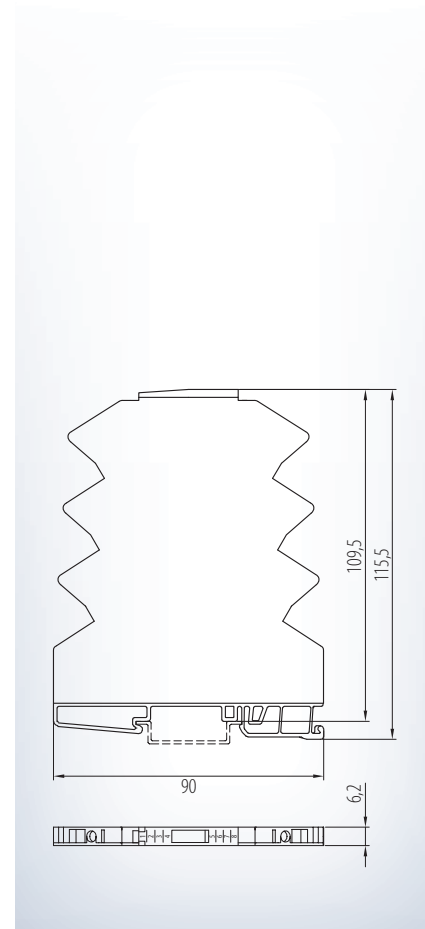
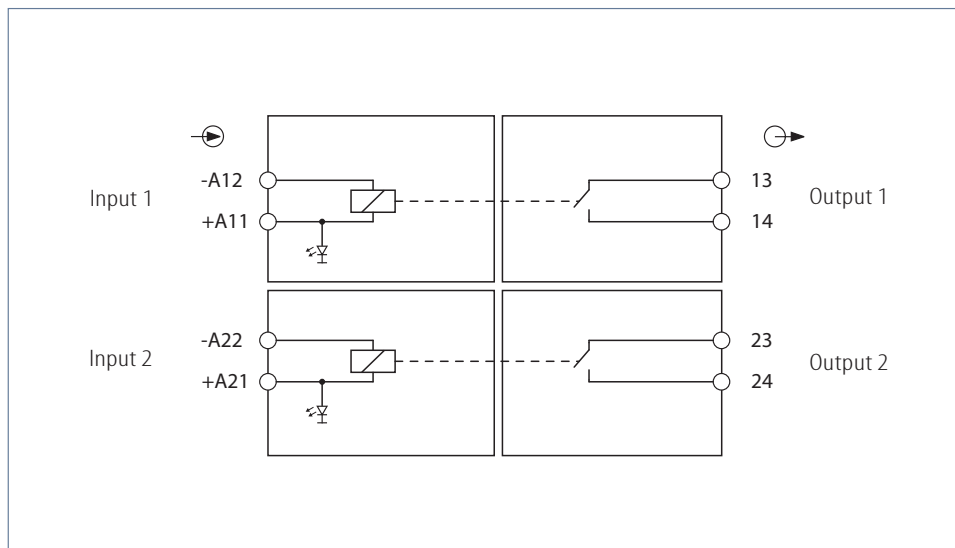
- 2-channel
- DC relay-interface
2 relays with 1 NO-contact each
- Front side status indication
- Switching power:
250 VAC/ 6 A
24 VAC/ 1 A; 230 VAC/ 0,1 A
- No auxiliary power required



FUNCTION

The RE 2.00 S is the interface between PLC, automation device, PC or process-control computer and peripheral equipment. Where the power of a standard output at a PLC is not sufficient the relay interface modul is used to control the actuators directly. This saves the costs for special output cards at the PLC.

Input and output sides are additionally protected against overvoltage. Indication of switching status per channel is signaled by front sided yellow LED.



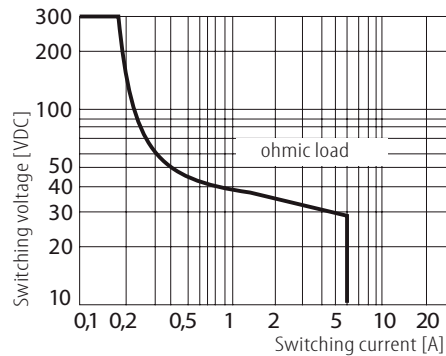
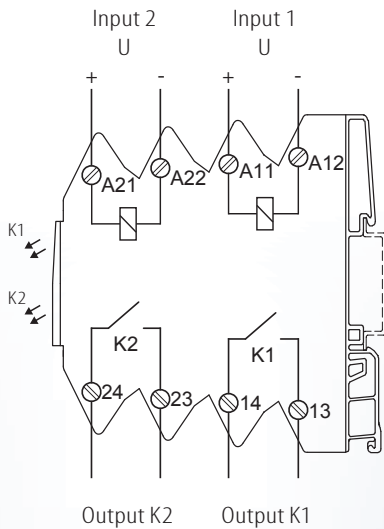
RE 2.00 S

Input:

Input voltage range:	20,4...30 V DC
Rated current:	approx. 6 mA
Switch-off voltage:	< 2,4 V
Protective circuit:	inverse-polarity protection, recovery diode
connection channel 1:	terminal A12 -, A11 +
connection channel 2:	terminal A22 -, A21 +

Output:

Contact:	1 NO-contact
Switching voltage:	min. 17 V AC/ DC max. 250 V AC/ DC
Switching capacity:	AC: 6 A/ 1500 VA DC: 1 A/ 24 V; 200 mA/ 115 V; 100 mA/ 230 V
Mechanical lifetime:	> 5 x 10 ⁶ cycles
connection channel 1:	terminal 13, 14
connection channel 2:	terminal 23, 24



Display:

LED K1:	yellow, active	K1 closed
LED K2:	yellow, active	K2 closed

Environmental conditions:

Storage temperature:	-20...+80 °C
Operating temperature:	-20...+60 °C
Isolation voltage:	4 kV eff. 1 sec. input-output

Characteristics of transmission:

On delay time:	5 msec.
Off delay time:	4 msec.

Directive:

EMC Directive:	2004/108/EC*
Low Voltage Directive:	2006/95/EC
*minimum deviations possible during HF-radiation influence	

Mounting details:

Housing for top hat rail	
Type of protection:	IP 20
Mounting rail fixed according to	EN 50022-35 x 6,2 mm
Width:	6,2 mm
Weight:	52 g
Material:	Polyamide PA
Flammability class:	V0 (UL 94)
Approval:	CE
Connection:	screw clamps 0,14...2,5 mm ²

Operating with 100% on-time a distance of > 5 mm between the modules and other switching devices must be observed.

Ordering information:

Type: RE 2.00 S

Schuhmann GmbH & Co. KG
Kleingartacher Str. 21
D-74363 Güglingen
Tel. + 49 71 35 50 56
Fax + 49 71 35 53 55
www.schuhmann-messtechnik.de