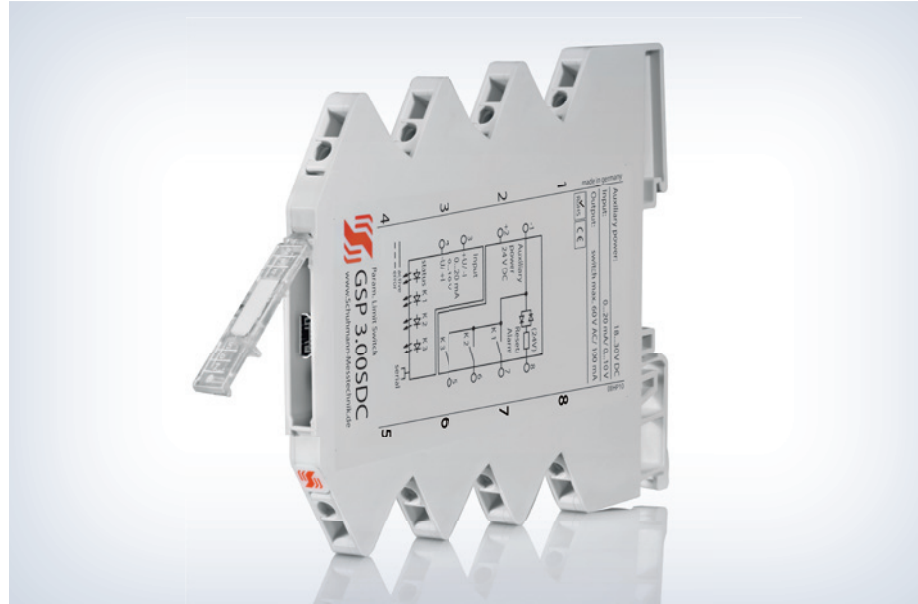


FEATURES

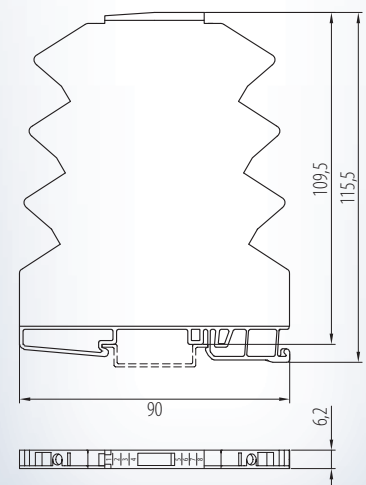
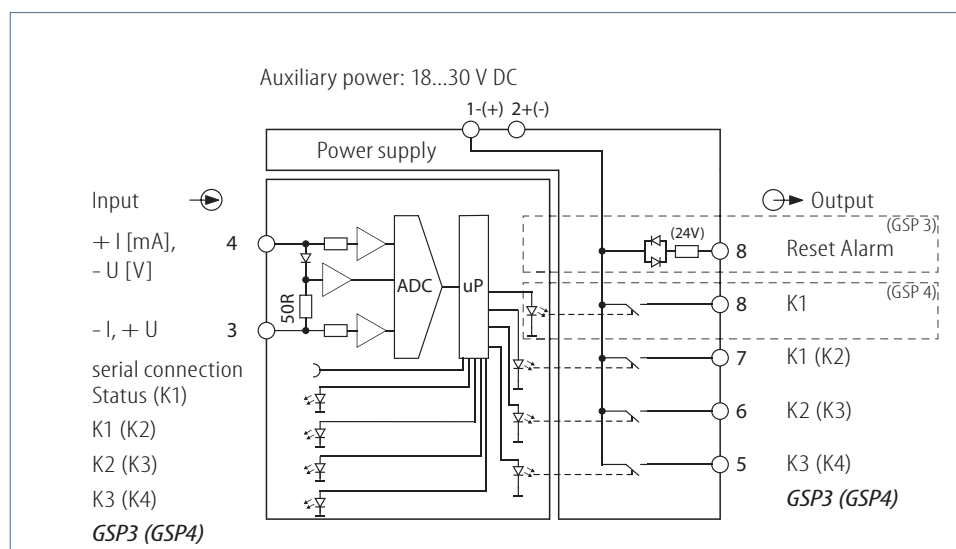
- **Input:** 0(4)...20 mA / 0(2)...10 V
- **Output:**
3x transistor (GSP 3.00 SDC)
4x transistor (GSP 4.00 SDC)
- **Indication of contact state by LED**
- **Additional functions:**
hysteresis, ON/ OFF-delay, window, tendency, inverse function, alarm
- **Parameterization without auxiliary power via PC-interface**
- **Galvanic 2-way isolation of 2,5 kV**



FUNCTION

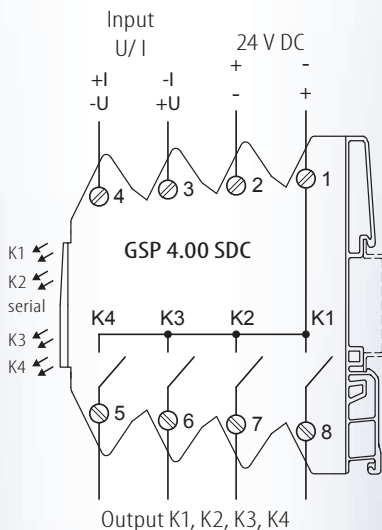
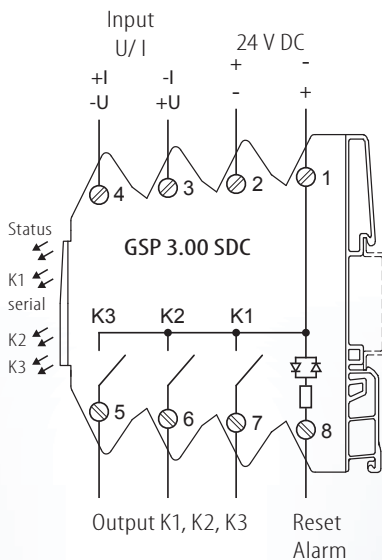
The GSP 3.00 SDC and GSP 4.00 SDC is used for the control of limit values of standardized signals. The limit switch is being parameterized by the USB2 adapter in connection with KALIB-Software. For the output are 3 or 4 transistor switches available which are equipped with limit values, hysteresis, ON/ OFF-delay, window, alarm, inverse function, tendency and sensor control each. The devices can be applied as threshold switch and supervisory relay to monitor temperature, pressure, dry runtime, motor protection, speed, etc.

The values to be controlled can exist as DC signal or DC voltage signal. After internal preparation the input signal will be compared with the digital adjusted limit value and in case of exceeding or falling off the transistor output will be energized. The GSP 3.00 SDC is equipped with a 24 V DC input to reset the alarm function.



GSP 3.00 SDC GSP 4.00 SDC

Connection diagram:



Input:

I: load-independent DC current:	0(4)...20 mA	input resistance approx. 100 Ω
connection:	terminal 3 -, 4 +	
U: load-independent DC voltage:	0(2)...10 V	input resistance approx. 100 kΩ
connection:	terminal 4 -, 3 +	

GSP 3.00 SDC:

is equipped with a 24 V DC input to reset the alarm function.

connection: terminal 8 + (at terminal 1 -) or terminal 8 - (at terminal 1 +)

Output:

transistor outputs:

Load: max. 30 V AC/ DC, max. 100 mA AC/ DC

connection: see connection diagram

The switching outputs refer to the auxiliary power with a common radix.

Module for heavy loads: Relay interface module, 2 relays with 6 A, 250 V

Type: RE 2.00 S

Adjustment:

Measuring ranges, switching points and parameterization are adjustable in parameter data by KALIB-Software. You need a PC and the interface adapter USB2 with KALIB-Software.

Parameterization for each channel:

Limit value adjustment:	0,0...110,0 %	adjustable in 0,1 % steps
Hysteresis:	0,1...90,0 %	adjustable in 0,1 % steps
ON/ OFF-delay:	0,0...999,0 sec.	adjustable in 0,1 sec. steps
Functions:	limit value, limit value range, tendency, inverse function, alarm function, start state, start time	

Display:

LED status: green, active input signals are in standard range, device ready for use
green, flashing input out of predetermined limits or exceeding of measuring range

LED K1:	green, active	K1 closed
LED K2:	green, active	K2 closed
LED K3:	green, active	K3 closed
LED K4:	green, active	K4 closed

Environmental conditions:

Storage temperature:	-40...+70 °C
Operating temperature:	0...55 °C
Isolation voltage:	2,5 kV eff. 1 sec. input-output 2,5 kV eff. 1 sec. auxiliary voltage

Auxiliary power:

24 V DC:	18...30 V DC approx. 5...30 mA
----------	-----------------------------------

Influence of auxiliary power: < 0,1 %

Characteristics of transmission:

Resolution:	10 bit
Linearity error:	< 0,5 % of final value
Temperature error:	< 30 ppm/ K
Response time:	< 10 msec.

Directive:

EMC Directive:	2004/108/EC*
Low Voltage Directive:	2006/95/EC
*minimum deviations possible during HF-radiation influence	

Mounting details:

Housing for top hat rail	
Type of protection:	IP 20
Mounting rail fixed according to	EN 50022-35 x 6,2 mm
Width:	6,2 mm
Weight:	52 g
Material:	Polyamide PA
Flammability class:	V0 (UL 94)
Approval:	CE
Connection:	screw clamps 0,14...2,5 mm ²

Please check parameterization before initial operation!

Ordering information:

Type:	GSP 3.00 SDC	24 V DC
	GSP 4.00 SDC	24 V DC
Accessories:	USB2 with KALIB-Software, manual	

Schuhmann GmbH & Co. KG
Kleingartacher Str. 21
D-74363 Güglingen
Tel. +49 71 35 50 56
Fax +49 71 35 53 55
www.schuhmann-messtechnik.de